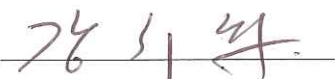
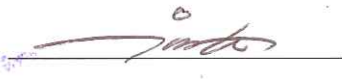



TEST REPORT			
Details of Applicant	Applicant	KESECO Co., Ltd.	
	Address	8F, Namyoung Bldg., 284-49 SungSuDong-2Ga, SungDong-Gu, Seoul, South Korea	
	Telephone No.	82-2-3409-1105	FAX No. 82-2-3409-2106
Details of Manufacturer	Kind of Product	Power Saving Device	
	Model Name	UC-50	Serial No. N/A
	Manufacturer	KESECO Co., Ltd.	
	Address	8F, Namyoung Bldg., 284-49 SungSuDong-2Ga, SungDong-Gu, Seoul, South Korea	
Testing Laboratory	Test Report No.	F690501/RF-SAF004580	
	Name	SGS Korea Co., Ltd. (Gunpo Laboratory)	
	Address	18-34, Sanbon-dong, Gunpo-city, Gyeonggi-do, Korea	
	Telephone No.	82-31-428-5700	FAX No. 82-31-427-2373
	Date of Test(s)	2011. 09. 02 ~ 2011. 09. 05	
	Date of Issue	2011. 10. 04	
	Standard	Test Condition from applicant	
	Test Result	Complied	
Tested by	 Aaron Kang	Approved by	 Yuta Kim
SGS Korea Co., Ltd. 			

The results shown in this test report refer only to the sample(s) tested unless otherwise stated. This test report cannot be reproduced, except in full, without prior written permission of the Company.

1. Test Environment

- Ambient Temperature: 25 °C - 30 °C
- Relative Humidity: 40 % R.H. - 60 % R.H.

2. Test Instruments

Name of instruments	Model name	Serial No.	Manufacturer	Calibration Data
PRECISION POWER ANALYZER	PPA2510	247	KINETIQ	2011-01-07 ~ 2012-01-07
DIGITAL HYGRO-TERMOGRAPH	DHT-1	N/A	DAEYOON Corp.	2011-01-06 ~ 2012-01-06
STOP WATCH	W073-400	710378	SEIKO	2011-01-05 ~ 2013-01-05

3. Test Condition

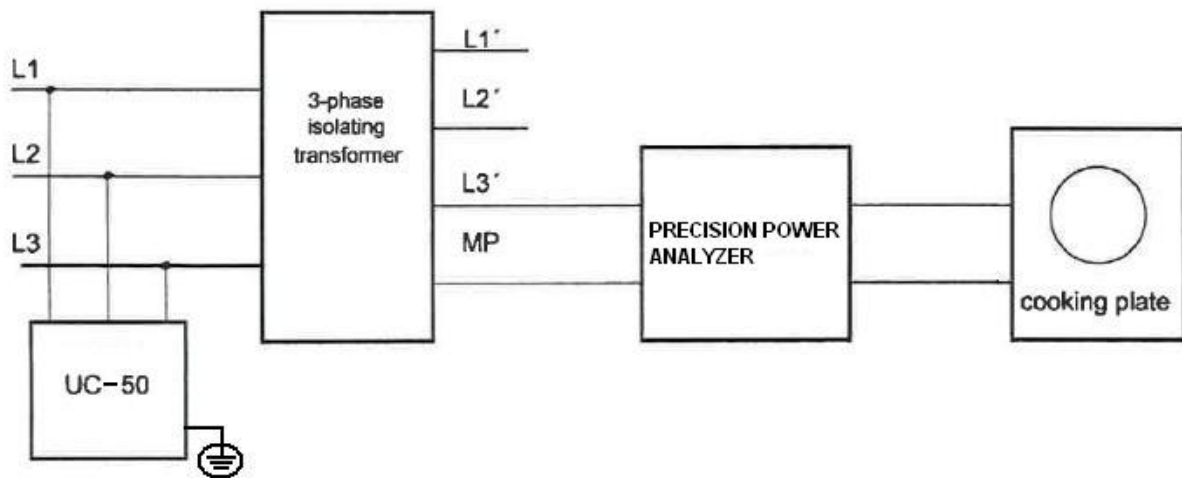
Process	Time	Remark
Pre-heating	(On:30min, Off:10min)* 1	120°C, 1000ml
Before	(On:30min, Off:10min)* 2	120°C, 1000ml
Install	10 min	UC-50
Adaptation 1	more than 12 hours	120°C, 1000ml
Adaptation 2		
Adaptation 3		
Pre-heating	(On:30min, Off:10min)* 1	120°C, 1000ml
After	(On:30min, Off:10min)* 2	120°C, 1000ml

The results shown in this test report refer only to the sample(s) tested unless otherwise stated. This test report cannot be reproduced, except in full, without prior written permission of the Company.

4. Photograph of Product



5. Test Set-Up



The results shown in this test report refer only to the sample(s) tested unless otherwise stated. This test report cannot be reproduced, except in full, without prior written permission of the Company.

6. Test Result

6.1 Before installation

6.1.1 First measuring without UC-50

Time	V	Hz	A	Wh
PM 2:40:00	225.7	59.98	0.0	0
PM 2:45:00	217.5	59.95	4.3	76.40998331
PM 2:50:00	220.5	60.00	3.0	138.0598939
PM 2:55:00	226.5	59.99	0.0	182.1972804
PM 3:00:00	218.2	59.99	3.9	226.2257165
PM 3:05:00	226.3	59.99	0.0	268.7902074
PM 3:10:00	222.1	59.98	2.3	① 313.0049893

6.1.2 Second measuring without UC-50

Time	V	Hz	A	Wh
PM 3:20:00	227.5	59.99	0.0	0
PM 3:25:00	218.1	59.98	4.3	76.70668205
PM 3:30:00	219.8	59.96	3.5	142.5415251
PM 3:35:00	219.1	60.00	3.7	190.7165219
PM 3:40:00	225.6	59.98	1.7	239.873587
PM 3:45:00	224.9	59.98	2.1	289.535204
PM 3:50:00	217.1	59.99	4.3	② 338.2155585

The results shown in this test report refer only to the sample(s) tested unless otherwise stated. This test report cannot be reproduced, except in full, without prior written permission of the Company.

6.2 After installation

6.2.1 First measuring with UC-50

Time	V	Hz	A	Wh
PM 2:40:00	226.4	60.00	0.0	0
PM 2:45:00	218.1	60.00	4.3	76.53511744
PM 2:50:00	226.2	60.02	0.0	137.6314804
PM 2:55:00	218.6	60.02	3.9	179.2413911
PM 3:00:00	220.0	60.00	3.2	224.8650468
PM 3:05:00	226.4	60.02	0.0	265.7384133
PM 3:10:00	218.3	60.00	4.0	③ 308.2110326

6.2.2 Second measuring with UC-50

Time	V	Hz	A	Wh
PM 3:20:00	226.6	59.99	0.0	0
PM 3:25:00	218.0	59.99	4.3	76.04603694
PM 3:30:00	220.5	60.02	3.0	132.9507811
PM 3:35:00	221.6	60.00	2.5	174.5863011
PM 3:40:00	219.7	60.02	3.5	216.0700045
PM 3:45:00	221.8	60.00	2.5	257.4167623
PM 3:50:00	224.0	59.99	2.4	④ 299.0127759

6.3 Calculation

$$\{((1) + (2)) - ((3) + (4))\} / ((1) + (2)) \times 100 \% = 6.756042856 \%$$

The results shown in this test report refer only to the sample(s) tested unless otherwise stated. This test report cannot be reproduced, except in full, without prior written permission of the Company.

7. Photograph under Test



The results shown in this test report refer only to the sample(s) tested unless otherwise stated. This test report cannot be reproduced, except in full, without prior written permission of the Company.